



Features

- Switching capacity up to 10A
- Small size and light weight
- Low coil power consumption, High contact load
- Strong resistance to shock and vibration



Contact Data*

Contact Arrangement	2C = DPDT 3C = 3PDT 4C = 4PDT	Contact Resistance	< 50 milliohms initial
Contact Rating	UL 2 & 3 Pole : 10A @ 220VAC & 28VDC, General Purpose 4 Pole : 5A @ 220VAC & 28VDC, General Purpose	Contact Material	AgCdO
	TÜV 2 Pole : 5A @ 220VAC & 28VDC, 100K cycles, 70°C	Max Switching Power	2C, & 3C : 280W, 2200VA 4C : 140W, 1110VA
		Max Switching Voltage	300VAC
		Max Switching Current	10A

Coil Data DC Parameters*

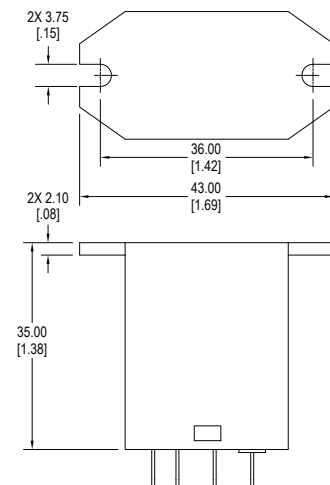
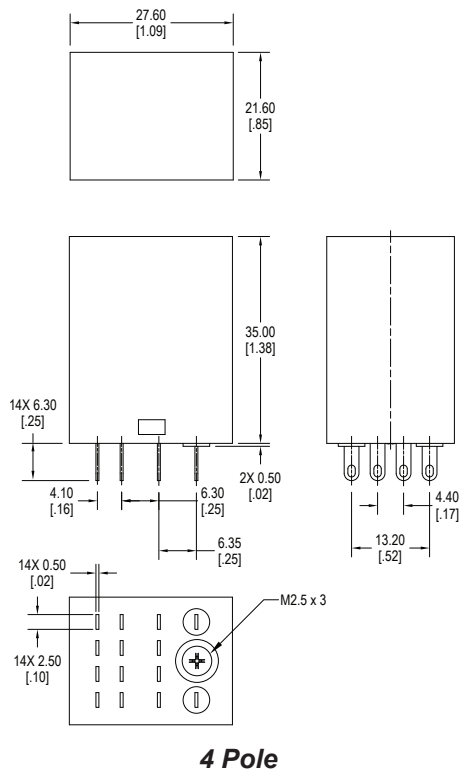
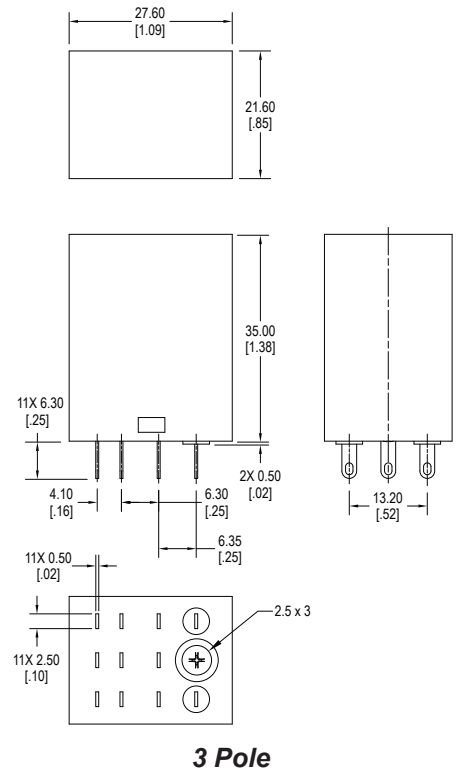
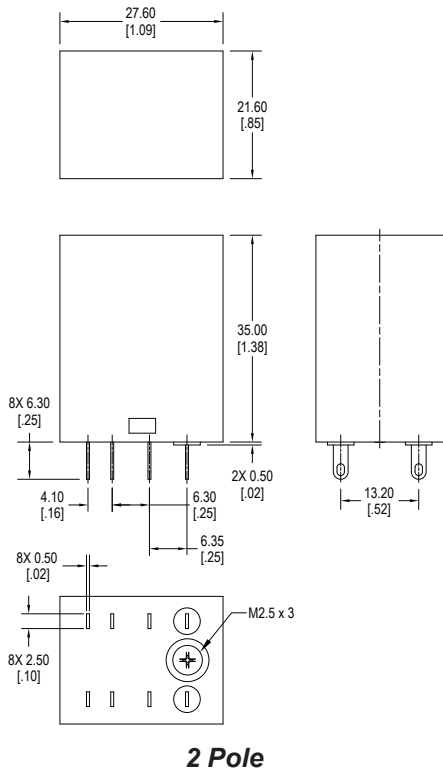
Coil Voltage VDC		Coil Resistance Ω +/- 10%	Pick Up Voltage VDC (max) 75% of rated voltage	Release Voltage VDC (min) 10% of rated voltage	Coil Power W	Operate Time ms	Release Time ms
Rated	Max						
12	13.2	160	9.0	1.2	.9	25	25
24	26.4	640	18.0	2.4			
110	121.0	11000	82.5	11.0			

Coil Data AC Parameters*

Coil Voltage VAC		Coil Resistance Ω +/- 10%	Pick Up Voltage VAC (max) 80% of rated voltage	Release Voltage VAC (min) 30% of rated voltage	Coil Power VA	Operate Time ms	Release Time ms
Rated	Max						
12	13.2	46	9.6	3.6	1.2	25	25
24	26.4	184	19.2	7.2			
110	121.0	3750	88.0	33.0			
120	132.0	4550	96.0	36.0			
220	252.0	14400	176.0	66.0			

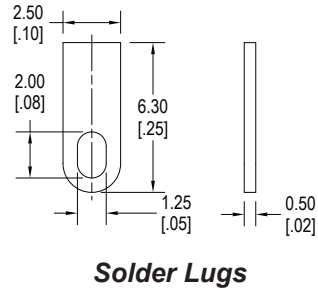
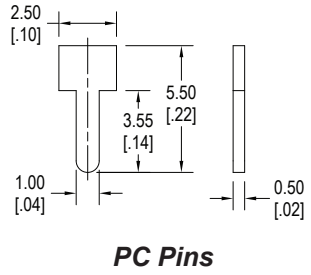
Dimensions

Units = mm





Termination Options



Schematics & PC Layouts

Bottom Views

